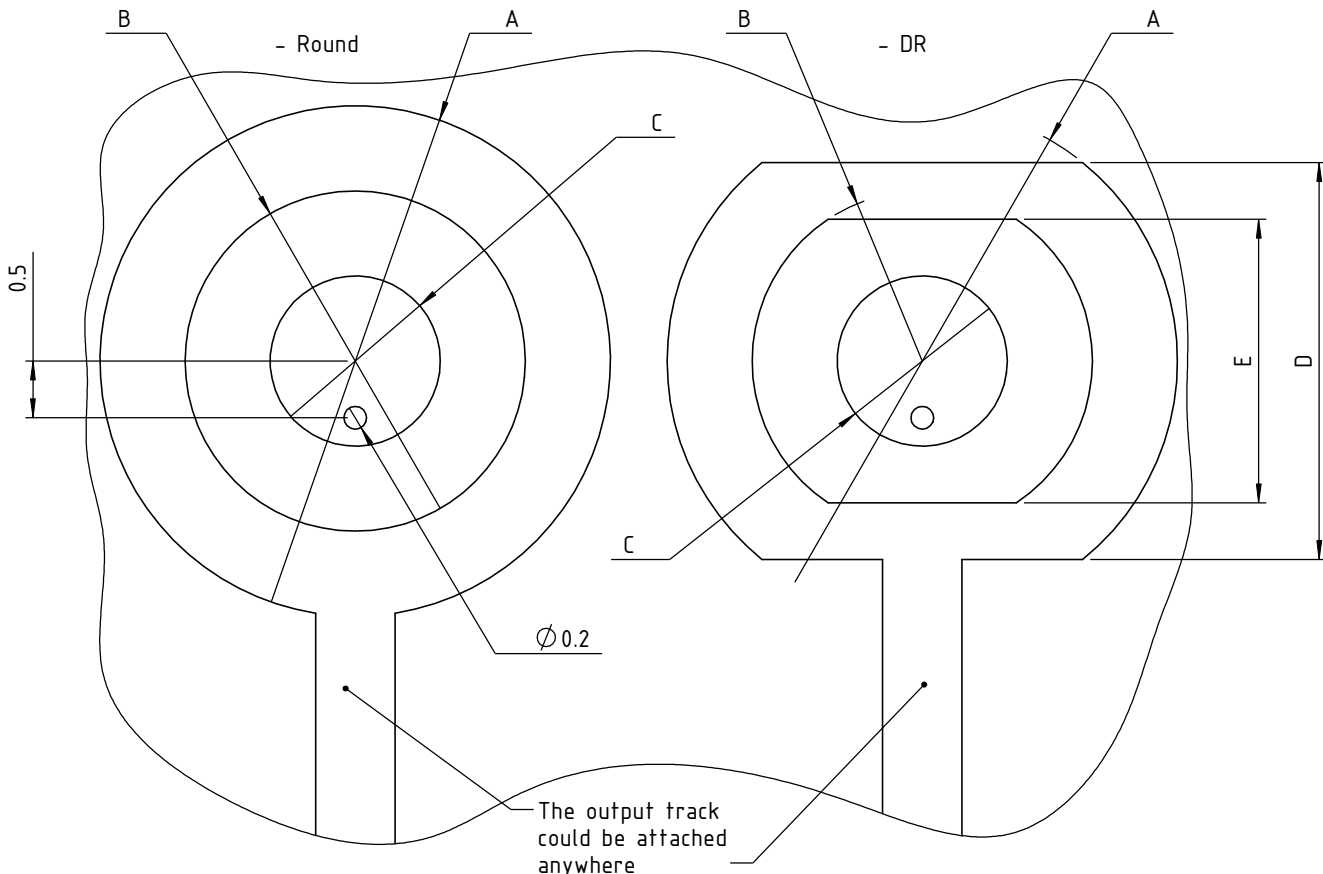
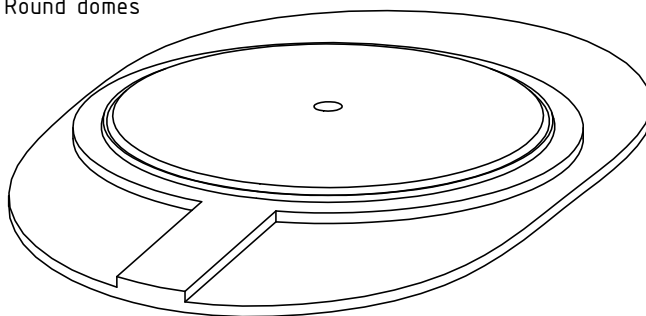


Ce plan est la propriété exclusive de la société NICOMATIC. Il ne peut être reproduit sans son autorisation. Loi du 11.03.1902.  
 This document and drawings, sketches, and schematic drawings are the property of the NICOMATIC company.  
 and no parts thereof may be reproduced and used without the written consent of the owner. Law dated 11.03.1902

Round domes



Recommended plated following domes :

Dome YY code = 21 (Nickel plated)  
 Pattern plated = Tin plated (Sn) or Nickel plated (Ni) or Gold plated (Au) or Silver ink (Ag)

Dome YY code = 31 (Selective gold plated)  
 Pattern plated = Tin plated (Sn) or Nickel plated (Ni) or Gold plated (Au) or Silver ink (Ag)

Dome YY code = 41 (Silver plated)  
 Pattern plated = Tin plated (Sn) or Nickel plated (Ni) or Gold plated (Au) or Silver ink (Ag)

	A	B	C	D	E
N4	4.5	3	1.7	3.5	2.5
N5	5.5	4	2.5	4.5	3.5



Z.I. Les Bracots  
 F-74890 Bons-en-Chablais  
 Tel. : +33 (0)4.50.36.13.85  
 Fax : +33 (0)4.50.36.11.33



Echelle/Scale  
**10:1**

e	04/05/09	C.G.	E.M.	D.Z.
Ind	Date	Drawn	Checked	Approved

**Désignation : Pattern de dômes pour un PCB double face**  
**Designation : Domes pattern for double side PCB**

Repertoire / Folder : X:\Méthodes\Documentations\Spécifications Produits\Dome\SP-DOME-002

Réf. catalogue /  
 Catalogue Reference

**SP-DOME-002**

Tolérance générale /  
 General tolerance ±0.2

Page  
 1/1

A4